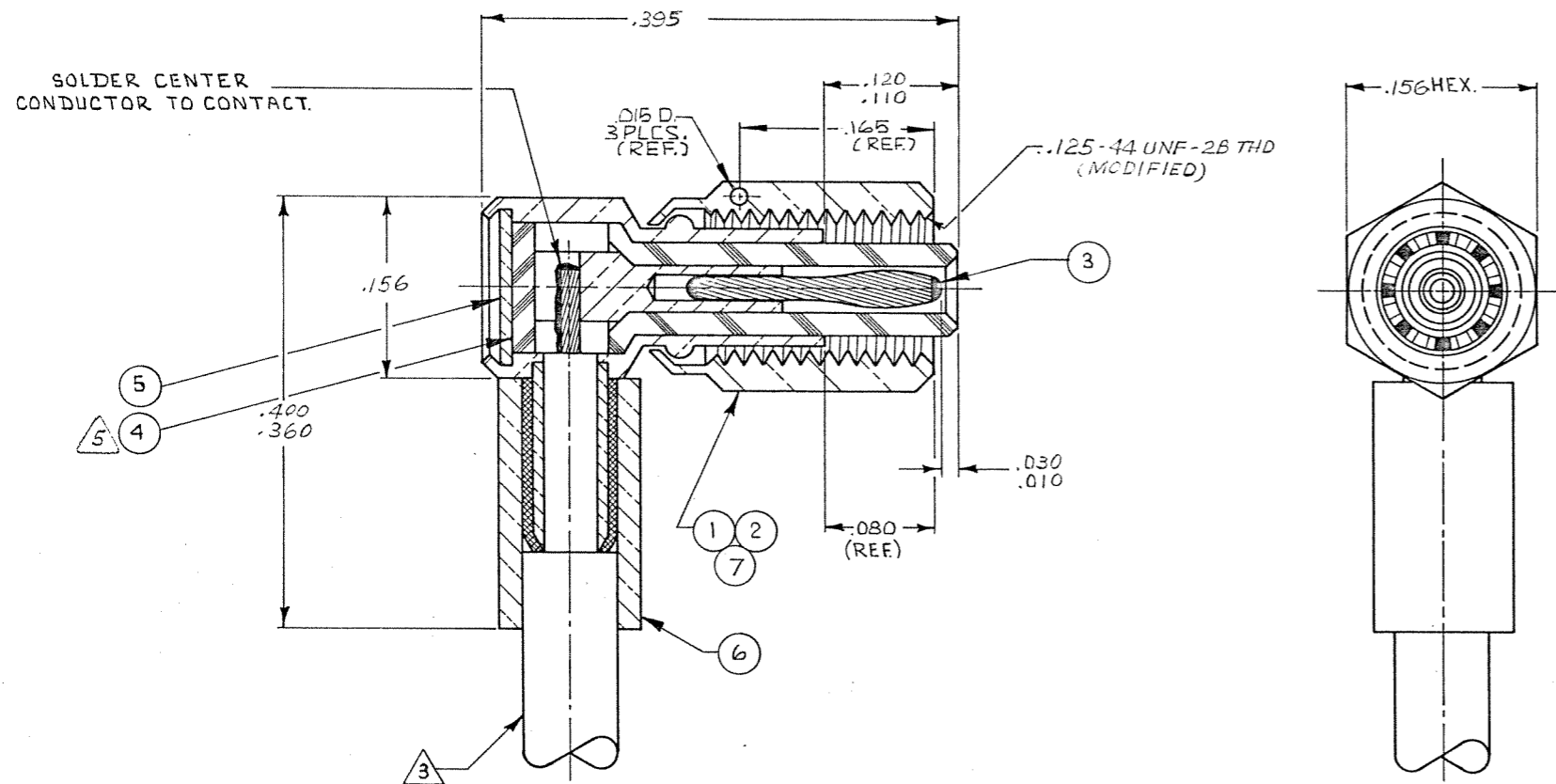


These drawings and specifications are the property of Microdot Inc. and shall not be divulged, reproduced or copied, or used as the basis for the manufacture or sale of any article without written permission of Microdot Inc.



3-1532145-5

CODE CDM 142-0005-000* D

- 5. MAY BE POTTED WITH FURANE 10F-951 OR EQUIV. IN PLACE OF ITEM 4
- 4. SEE RF-ASMB-13 FOR ASSEMBLY INSTRUCTIONS. ASSEMBLY TOOL 010-0132-0000, THOMAS & BETTS P/N WT419, REQ'D.
- 3. CABLE ACCEPTANCE DIM'S:
JACKET .081 MAX.,
DIELECTRIC .038 MAX., CENTER COND. .012 NOM.
- 2. ALL METALLIC PARTS ARE GOLD PLATED PER MIL-G-45204, TYPE II, GRADE C, CLASS 1.
- 1. MATES WITH LEPRACON 141-0011-0002 RECEPTACLE.

| | | | | | | |
|----|----|----|---------------|--------------------------------------|--------------------|------|
| 1 | | | 014-1056-0003 | HOUSING SUB. 5/32 HEX W/ SAFETY HOLE | | 7 |
| 1 | 1 | 1 | 014-0026-0002 | CRIMP SLEEVE | COPPER ALLOY | 6 |
| 1 | 1 | 1 | 014-0022-0002 | CAP | BRASS PER QQ-B-613 | 5 |
| 1 | 1 | 1 | 014-0024-0001 | INSULATOR BACK-UP | TEFLON PER L-P-403 | 4 |
| 1 | 1 | 1 | 096-0525-0002 | PIN CONTACT, SUB-ASSY | | 3 |
| | | 1 | 014-1056-0002 | HOUSING SUB. 5/32 KNURL | | 2 |
| | | 1 | 014-1056-0001 | HOUSING SUB. 5/32 HEX. | | 1 |
| -3 | -2 | -1 | PART NO | NOMENCLATURE | MAT'L & SPEC. | ITEM |

NOTES: UNLESS OTHERWISE SPECIFIED

| | | | |
|--|-----|--|--|
| STANDARD TOLERANCES UNLESS OTHERWISE SPECIFIED DEC. ± .015 FRAG. ± 1/64 ANGLES ± 30 ECCENTRICITY MAX. T.I.R. HOLE DIA. ± SURFACE ROUGHNESS MICRO INCHES THREADS TO MIL-S-7742 COMMERCIAL TOLERANCES APPLY TO STOCK DIMENSIONS | | MALCO A MICRODOT COMPANY, INC. 220 PASADENA AVE., SO. PASADENA, CAL | |
| D 2 1/2 .395 WAS 3/8, .166 WAS 5/32 .400/.360 WAS 3/8, .030/.010 WAS .025/.010 .120/.110 WAS -115REF UPDATE SH | | SURFACE TREATMENT NOTE 2 MATERIAL NOTED PCD CO QB APP 946 CHECKED BY DRAWN BY G. Kanna SCALE 10X DATE 8-15-78 DRAWING NUMBER 142-0005-000* D | |
| C 1/89 DELETE NOTE 5 & 6 | | RIGHT ANGLE PLUG W/INTERLOCKING INTERFACE | |
| B 1/274 CHANGED PER ELO | | REVISION DESCRIPTION BY DATE APP | |
| A 8 2/2 RELEASED FOR PROD | | CODE CDM | |
| ASSEMBLY NO REQ'D | LET | ECO | |